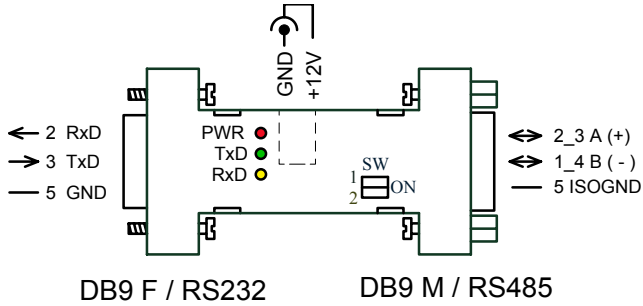
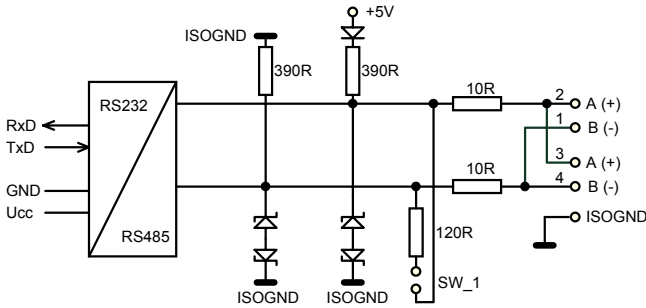


LAYOUT



SW	1 – OFF	terminator disconnected
	1 – ON	terminator connected
	2 – OFF	receiver control - permanent
	2 – ON	receiver control - inverse to transmitter control

RS485 LINE CONFIGURATION



WARRANTY CONDITIONS

ComErgon provides full warranty of 12 month for serial interface module MINI 2.6/485 starting on the day of purchase.

The warranty is except for the cases in which the functioning of the module has been affected by faulty manipulation, natural catastrophes or other external factors.

COMERGON

MINI serie

MINI 2.6/485

isolated converter

RS 232 - RS 485

TECHNICAL DATA

transfer mode	RS485 - half duplex
transfer rate	460 kb/s
selectable receiver control	permanent or inverse to transmitter
supported signals	RxD, TxD
max. recommended line length	1 200 m
galvanical isolation	1 kV
selectable terminator	120 Ω
connector RS232	D-SUB 9 pin F
connector RS485	D-SUB 9 pin M
connector power supply	plug 1.3mm
optical indication	RxD, TxD, PWR
overvoltage (soft) protection - RS485	300W/8μs
overvoltage (soft) protection – power supply	600W/10μs
power supply	+12V DC ±10%
power consumption	max 1W
dimension	63 x 17 x 34 mm

COMERGON Ltd.

Pionierska 15, 831 02 Bratislava
Slovak Republic

tel.: +421-2- 4445 8783
tel./ fax.: +421-2- 4425 9006

e-mail: service@comergon.sk
http: www.comergon.sk